

# Kirby Morgan 57 Helmet 500-080 / 500-081

Location #	Part #	Description
1	520-054	Visor
2	510-754	Head Cushion Assembly
	510-722	Head Cushion Bag
3	510-837	Head Cushion Foam Spacer Assembly
	510-836	Head Cushion Foam Spacer Bag
4	510-683	Chin Cushion Assembly
	510-639	Chin Cushion Bag
5	505-024	Side Block Assembly (B)
	505-025	Side Block Assembly (B), Brass
6	520-033	O-ring, Teflon®
7	555-154	Bent tube Assembly, No O-rings
8	510-012	O-ring
9	555-155	Bent Tube Assem w/O-rings
10	560-125	Weight, Top
	560-116	Weight, Top, Brass
11	530-070	Screw
12	530-032	Screw
13	530-070	Screw
14	530-540	Washer
15	505-108	Helmet Shell, 57 with Ring
16	530-078	Screw
17	530-540	Washer
18	530-527	Washer
19	530-078	Screw
20	560-133	Handle, 57
	560-136	Handle, Brass, 57
21	560-196	Plaque, 57
22	560-535	Handle with Plaque, 57
	560-523	Handle with Plaque, Brass 57
23	530-045	Screw
24	510-762	Air Train Gasket
25	530-050	Screw
26	530-535	Washer
27	530-415	Washer, Lock
28	530-317	Nut
29	545-016	Air Train
30	530-535	Washer
31	530-317	Nut
32	560-032	Weight, Port Side
	560-033	Weight, Port Side, Brass
33	530-062	Screw
34	530-052	Screw
35	530-035	Screw
36	550-062	Knob, Nose Block
	550-252	Knob, Nose Block, Brass
37	555-180	Packing Nut
	555-190	Packing Nut, Brass

Location #	Part #	Description
38	510-008	O-ring
39	550-116	Nose Block Guide
	550-249	Nose Block Guide, Brass
40	560-070	Port Retainer, w/#39
	560-071	Port Retainer, Brass, w/#39 Brass
41	510-010	O-ring
42	520-004	Face Port
43	510-260	O-ring, View Port
44	530-015	Screw
45	530-032	Screw
46	505-110	Sealed Pull Pin
47	550-063	Body, Water Dump
48	510-561	Valve, Water Dump, Black
49	510-033	O-ring
50	520-042	Tie Wrap
51	530-019	Screw
52	510-007	O-ring
53	560-530	Cover, Water Dump Adapter
54	505-111	Chin Strap Assembly <i>Purchase 525-716 Kit</i>
55	510-781	Spacer for 57
56	510-786	Starboard Whisker Wing
57	510-760	Quad Valve Exhaust Main Body
58	520-042	Tie Wrap
59	520-200	Whisker Exhaust Valve Insert
60	510-776	Exhaust Valve
61	520-118	Tri/Quad Valve Whisker Clamp
62	530-008	Brass Screw
63	530-009	Brass Nut
64	510-787	Port Whisker Wing
65	505-730	Quad Valve Exhaust Assembly
66	530-045	Screw
67	550-061	Spacer
68	540-015	Kidney Plate
69	505-560	SS Balanced Regulator, SuperFlow® 450
70	530-546	Washer for Swing Catch
71	530-035	Screw
72	550-061	Spacer
73	540-086	Swing Catch
74	520-167	Teflon® Washer for Swing Catch
75	535-825	Spring, Swing Catch
76	530-045	Screw
77	550-122	Spring Spacer
78	505-119	Neck Ring Assembly (neoprene) Med.
79	530-545	Washer
80	530-028	Lock Nut

Location #	Part #	Description
81	560-111	Locking Collar
82	550-113	Adjustment Nut, Neck Pad
83	520-098	Neck Pad
84	530-064	Screw
85	550-045	T-Washer
86	530-027	Hinge Bolt
87	520-165	Washer
88	320-026	Comm. Mount Nut
89	515-029	Microphone Assembly
90	515-019	Earphone, Left, 15.5"
91	515-018	Earphone, Right, 9"
92	515-024	Comm. Assembly w/MWP
93	515-023	Comm. Assembly w/Posts
94	510-575	Nose Block Pad
95	545-015	Nose Block Device
96	520-020	Valve Body
97	510-550	Valve, Oral Nasal
98	510-747	Oral Nasal Mask
99	550-081	Nut, Regulator Mount
100	510-490	O-ring
101	540-054	Earphone Retainer
102	530-519	Washer
103	530-018	Screw
104	530-702	Snap
105	530-527	Washer
106	530-031	Screw

### ⚠ CAUTION

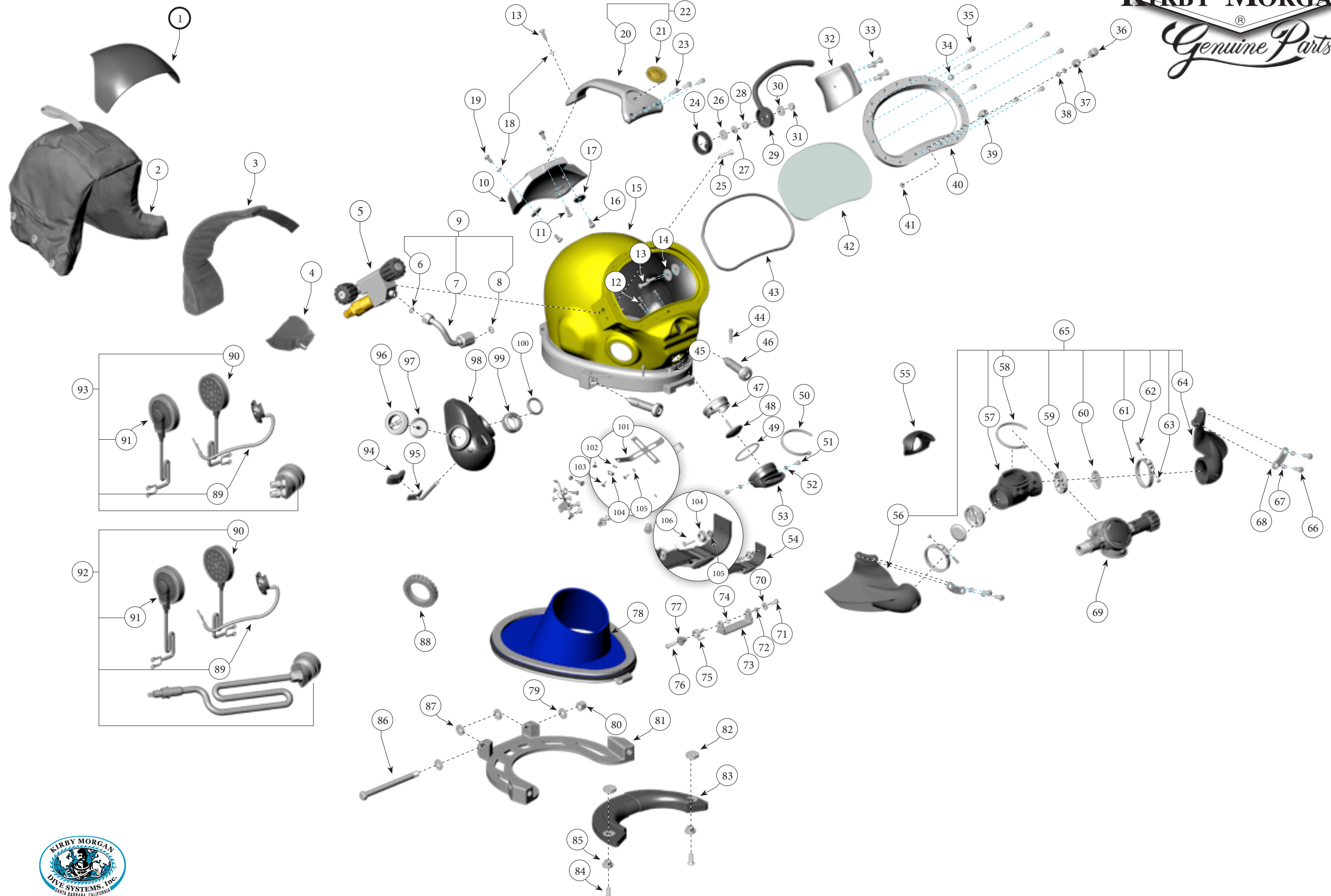
Use only Kirby Morgan original replacement parts. The use of other manufacturers' parts will interfere with the performance characteristics of your life support equipment and may jeopardize your safety. Additionally, any substitutions will void any warranties offered by KMDSI. When ordering spares, always insist on Kirby Morgan original parts.

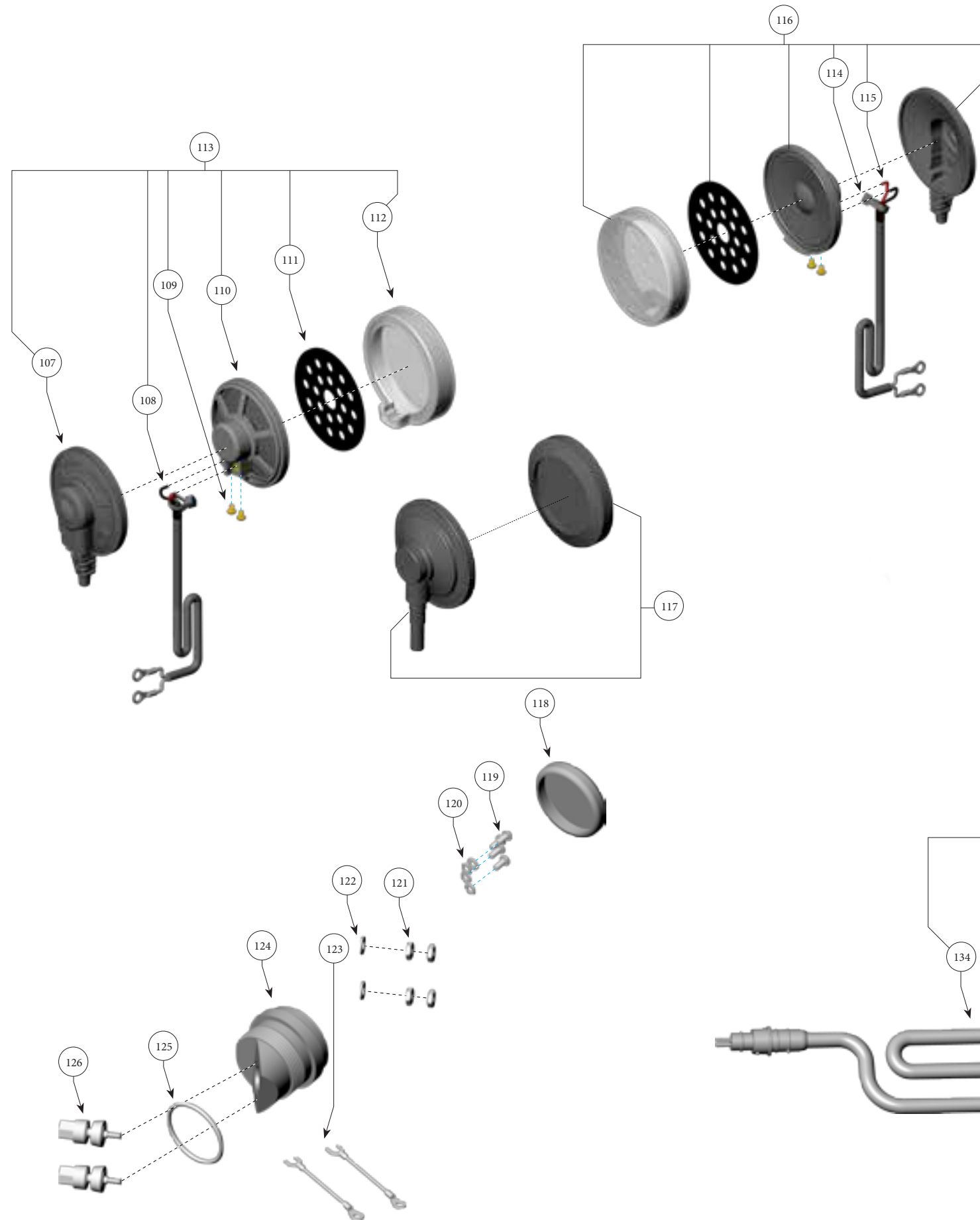


Kirby Morgan Dive Systems, Inc.® 1430 Jason Way, Santa Maria, CA 93455

Phone: 805/928-7772 Fax: 805/928-0342

[www.KirbyMorgan.com](http://www.KirbyMorgan.com) e-mail: [kmdsi@KirbyMorgan.com](mailto:kmdsi@KirbyMorgan.com)





Location #	Part #	Description
107		For Earphone Cover Set Order 510-842
108	515-102	Communication Wire 9"
109	530-098	Screw
110	515-090	Earphone, Speaker Only
111	520-015	Protector, Earphone
112		For Earphone Cover Set Order 510-842
113	515-018	Earphone, Right 9"
114	520-038	Tie-Wrap
115	515-101	Communication Wire 15.5"
116	515-019	Earphone, Right 15.5"
117	510-542	Covers, Earphone, Pre-April 2011
118	510-630	Cover, Comm. Module
119	330-030	Screw
120	330-035	Washer
121	530-308	Hex Nut
122	530-525	Washer
123	515-055	Wiring Harness, Posts
124	520-130	Comm. Module for Posts
125	510-029	O-ring
126	315-020	Comm. Posts
127	550-040	Nut
128	520-132	Comm. Module for MWP
129	515-049	Single Wire Terminal

Location #	Part #	Description
130	510-481	O-ring
131	555-175	Packing Gland
132	520-113	Ferrule Set
133	555-178	Packing Nut
134	515-045	W.P. Connector (Male) 4 Pin
135	505-047	W.P. Connector Assembly



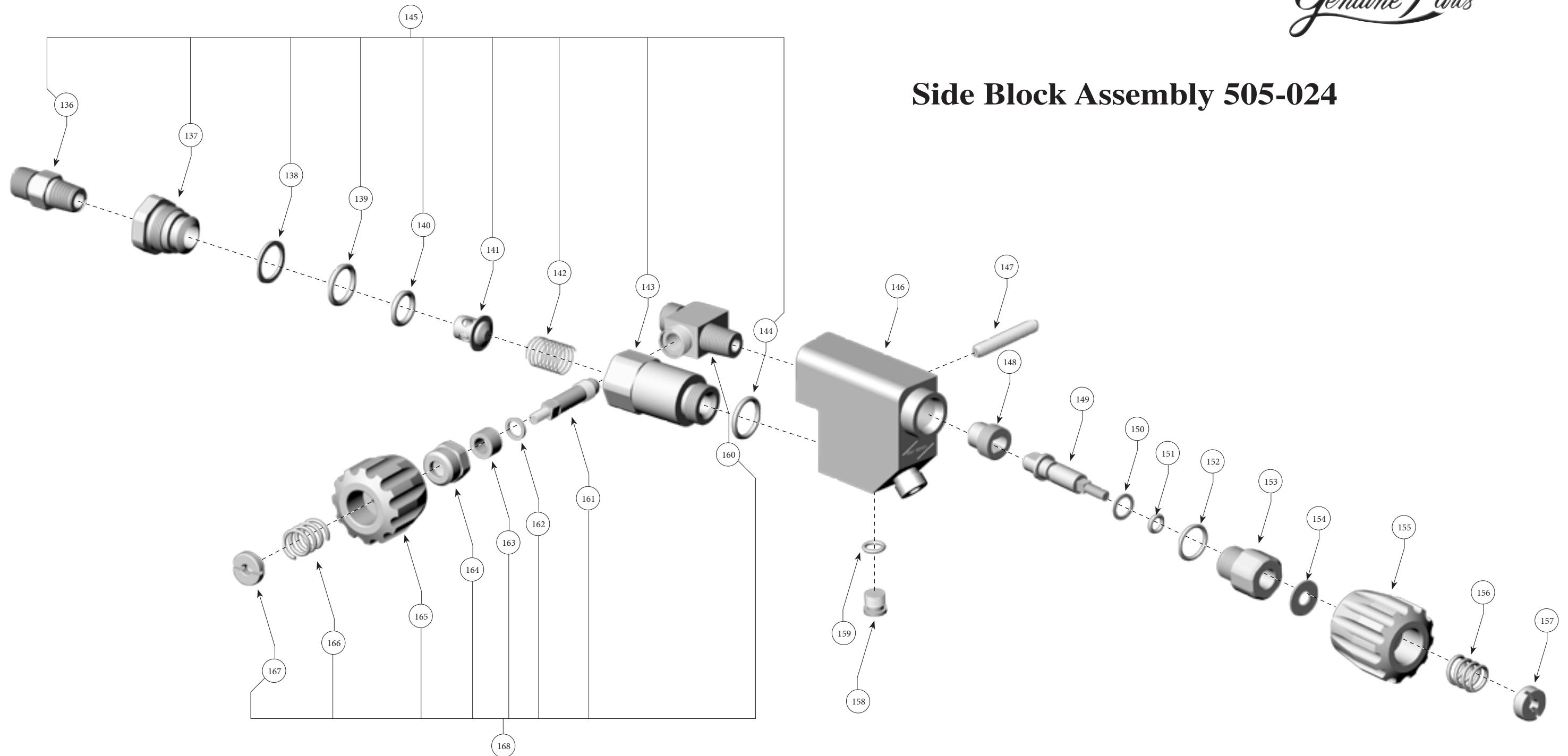
Kirby Morgan Dive Systems, Inc.<sup>®</sup> 1430 Jason Way, Santa Maria, CA 93455

Phone: 805/928-7772 Fax: 805/928-0342

[www.KirbyMorgan.com](http://www.KirbyMorgan.com) e-mail: [kmdsi@KirbyMorgan.com](mailto:kmdsi@KirbyMorgan.com)



**Side Block Assembly 505-024**

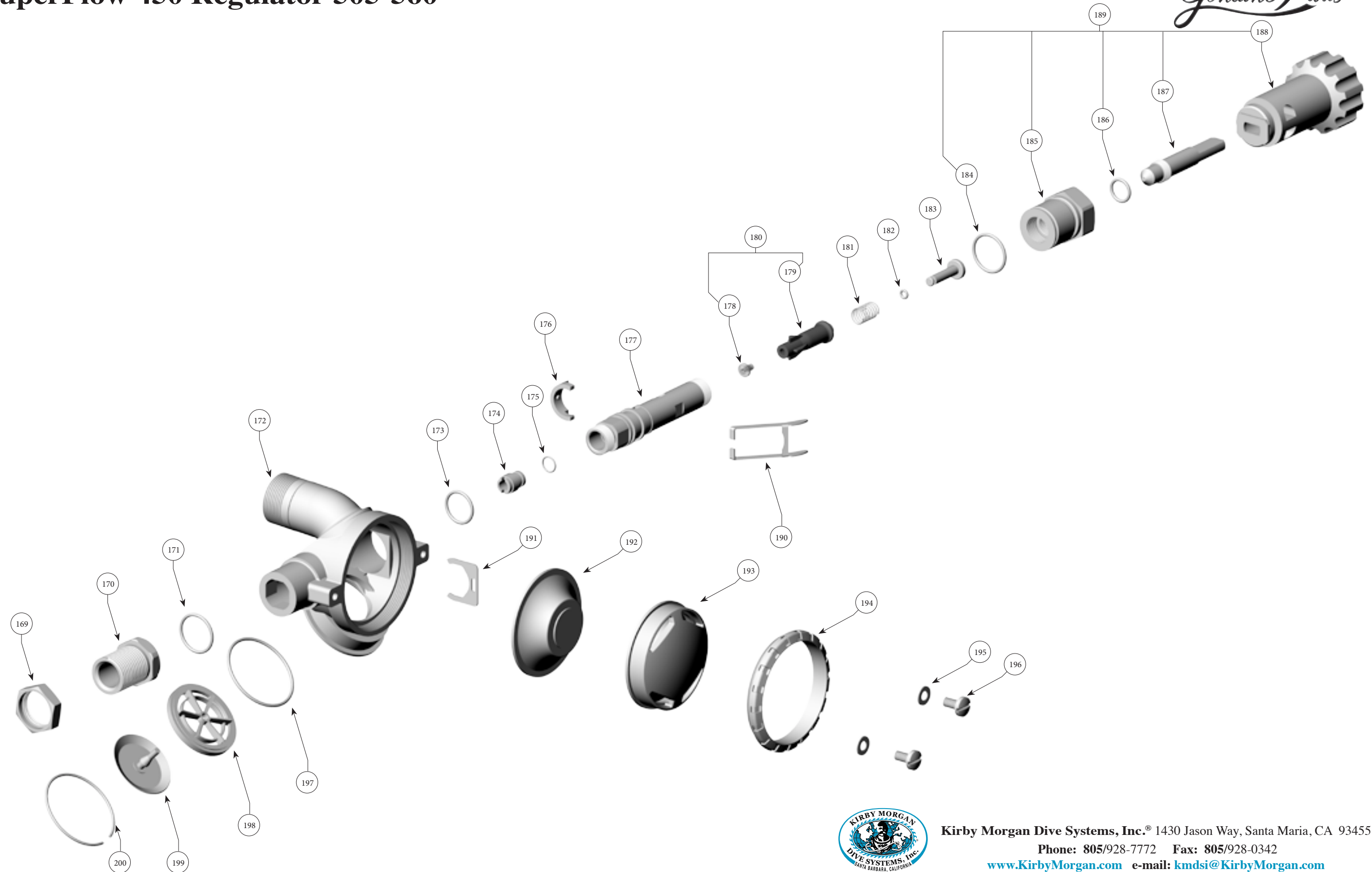


Kirby Morgan Dive Systems, Inc.<sup>®</sup> 1430 Jason Way, Santa Maria, CA 93455

Phone: 805/928-7772 Fax: 805/928-0342

[www.KirbyMorgan.com](http://www.KirbyMorgan.com) e-mail: [kmdsi@KirbyMorgan.com](mailto:kmdsi@KirbyMorgan.com)

# SuperFlow 450 Regulator 505-560



Kirby Morgan Dive Systems, Inc.<sup>®</sup> 1430 Jason Way, Santa Maria, CA 93455

Phone: 805/928-7772 Fax: 805/928-0342

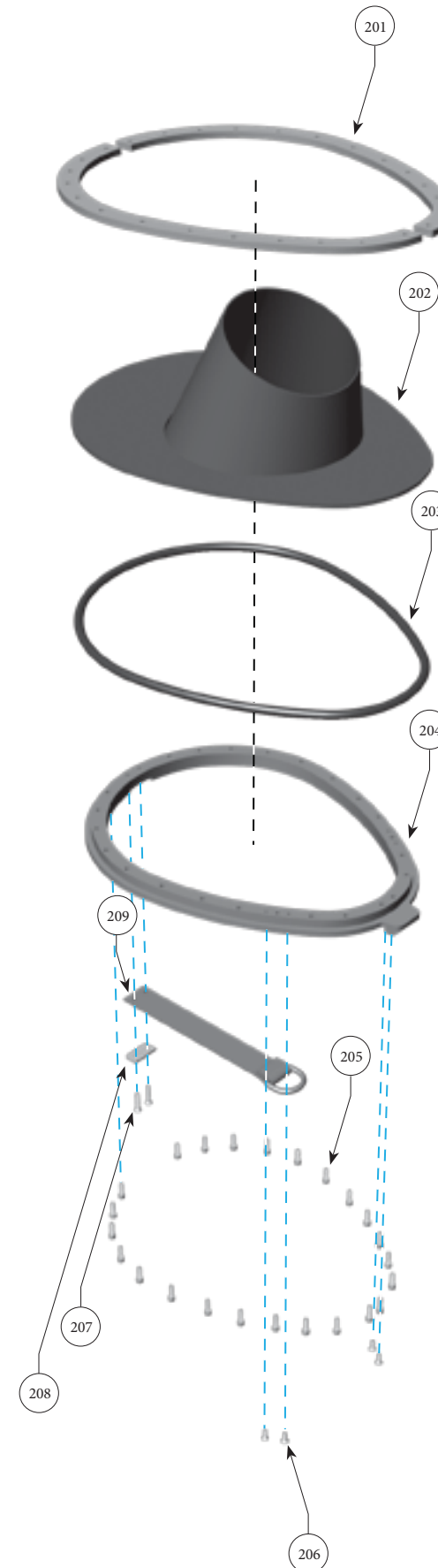
[www.KirbyMorgan.com](http://www.KirbyMorgan.com) e-mail: [kmdsi@KirbyMorgan.com](mailto:kmdsi@KirbyMorgan.com)

## Side Block Assembly 505-024

## SuperFlow 450 Regulator 505-560

Location #	Part #	Description
136	Order 555-117	Adapter
137	Order 555-195	Seat
138	Order 525-330	Wiper
139	Order 525-330	O-ring
140	Order 525-330	O-ring
141	Order 555-195	Poppet
142	Order 525-330	Spring
143	Order 555-195	One-Way Valve
144	510-483	O-ring
145	505-060	One-Way Valve Assembly
146	550-029	Side Block, Body 'B'
147	550-024	Stud
148	550-023	Seat Assembly
149	550-022	Valve Stem
150	520-031	Washer
151	510-010	O-ring
152	510-015	O-ring
153	550-020	Bonnet
154	520-030	Washer
155	520-524	Flex Knob, Steady Flow
156	535-802	Spring
157	550-019	Lock Nut
158	550-095	Plug
159	310-003	O-ring
160	550-140	Emergency Valve Body
161	550-138	Valve Stem, Emergency
162	540-095	Packing Washer
163	520-024	Packing
164	550-091	Packing Nut
165	520-525	Flex Knob, Emergency Valve
166	535-802	Spring
167	550-019	Locknut
168	505-070	Emergency Valve Assembly

Location #	Part #	Description
169	550-050	Jam Nut
170	550-533	Bent Tube Adapter
171	510-017	O-ring
172	545-570	S.S. Reg Body Assembly.
173	510-015	O-ring
174	250-060	Nipple
175	210-050	O-ring, Adjustment Nipple
176	520-023	Bearing Clip
177	550-517	Main Tube
178	210-045	Seat
179	220-050SS	Inlet Valve, S.S. Tube
180	205-015SS	Inlet Valve Assembly.
181	235-015	Spring
182	210-055	Balance O-ring
183	220-030	Balance Spacer
184	510-017	O-ring
185	550-526	Packing Nut
186	510-012	O-ring
187	550-523	Adjustment Shaft
188	520-517	Adjustment Knob, Flexible
189	505-562	Flex Knob Adjustment Assembly.
190	540-545	High Flow Lever Arm
191	540-531	Lock Clip
192	205-010	Diaphragm Assembly.
193	210-043	Cover, 450 Regulator
194	560-525	Ring, Regulator Cover, 450
195	530-527	Washer
196	530-052	Screw
197	510-019	O-ring
198	520-022	Exhaust Valve Insert
199	510-776	Exhaust Valve
200	540-012	Retainer Ring



### Neck Ring Assembly P/N 505-119

Location #	Part #	Description
201	540-105	Split Ring, (2 Required)
202	510-628	Neoprene Neck Dam, Medium
203	510-450	O-ring, Neck Ring
204	560-078	Stepped Neck Dam Ring
205	530-024	Screw
206	530-022	Screw
207	530-220	Screw
208	540-115	Strap Plate
209	505-142	Pull Strap Assembly



Kirby Morgan Dive Systems, Inc.<sup>®</sup> 1430 Jason Way, Santa Maria, CA 93455

Phone: 805/928-7772 Fax: 805/928-0342

[www.KirbyMorgan.com](http://www.KirbyMorgan.com) e-mail: [kmdsi@KirbyMorgan.com](mailto:kmdsi@KirbyMorgan.com)